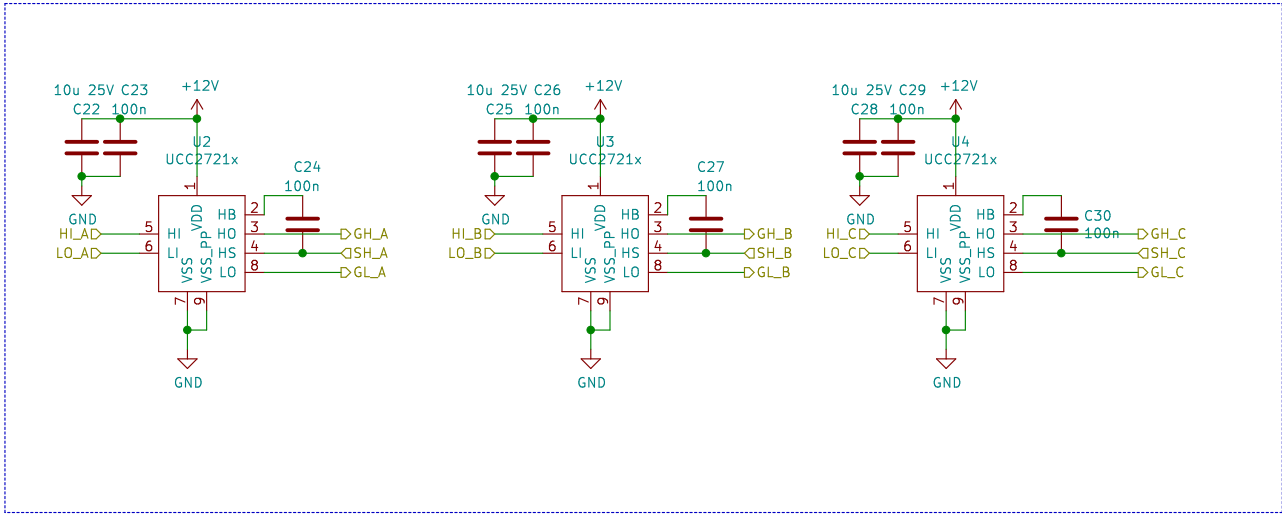


Sheet: /MCU/		Date:	
File: MCU.sch		Rev:	
<b>Title:</b>			
Size: A4	KiCad E.D.A. kicad (5.1.6)-1		Id: 2/5

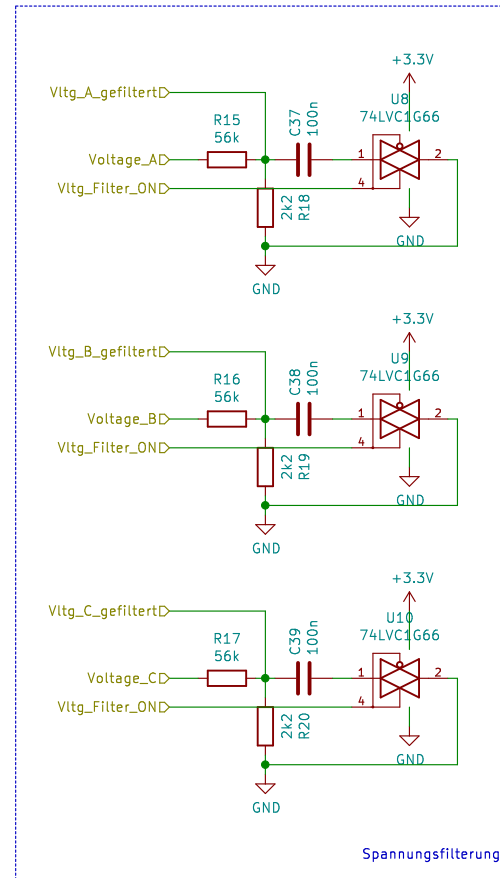
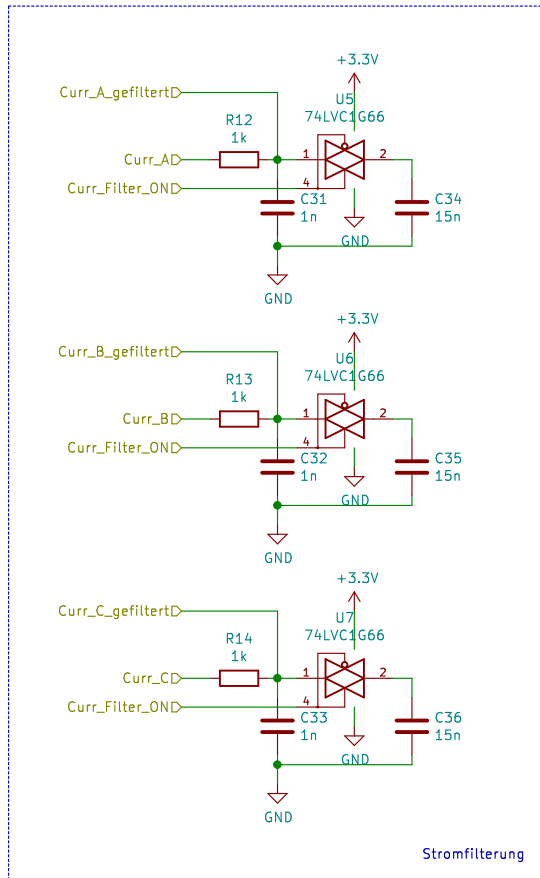


Sheet: /Driver/  
 File: Driver.sch

**Title:**

Size: A4 Date:  
 KiCad E.D.A. kicad (5.1.6)-1

**Rev:**  
 Id: 3/5



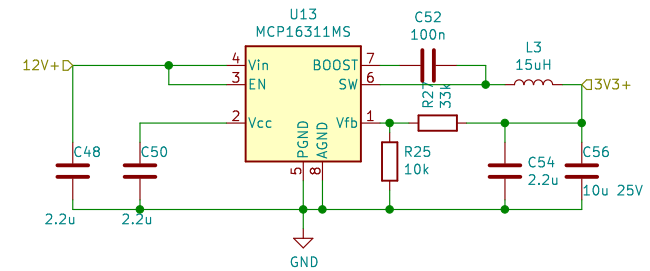
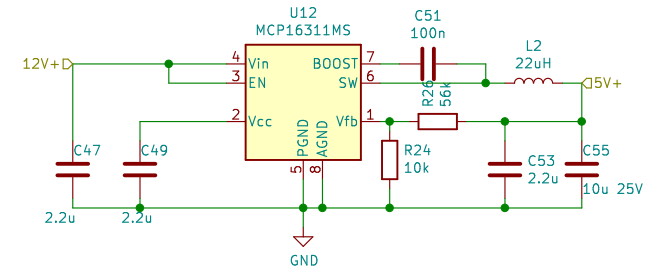
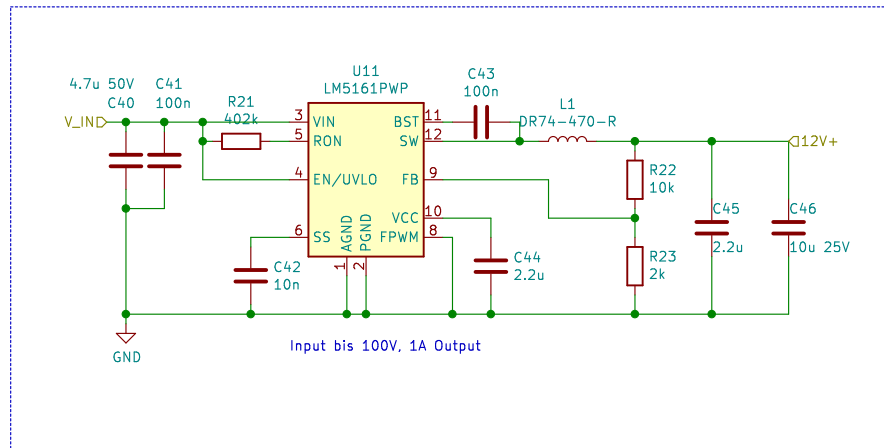
Sheet: /Filter/  
File: Filter.sch

**Title:**

Size: A4  
KiCad E.D.A. kicad (5.1.6)-1

Date:

Rev:  
Id: 4/5



Sheet: /PowerSupply/  
File: PowerSupply.sch

**Title:**

Size: A4

Date:

KiCad E.D.A. kicad (5.1.6)-1

**Rev:**

Id: 5/5